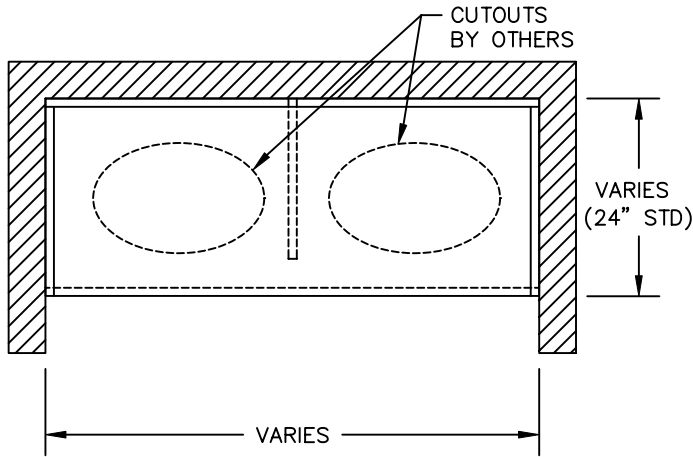
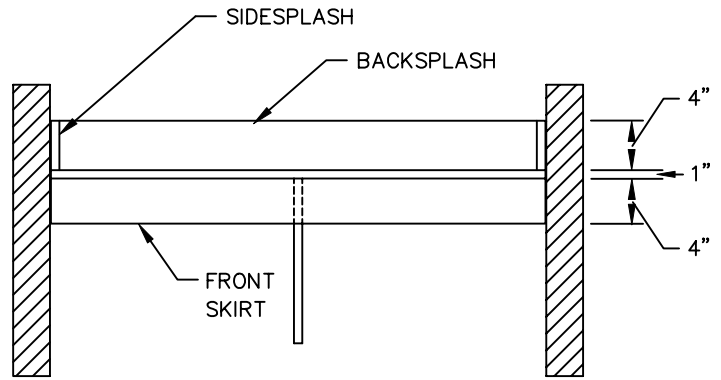


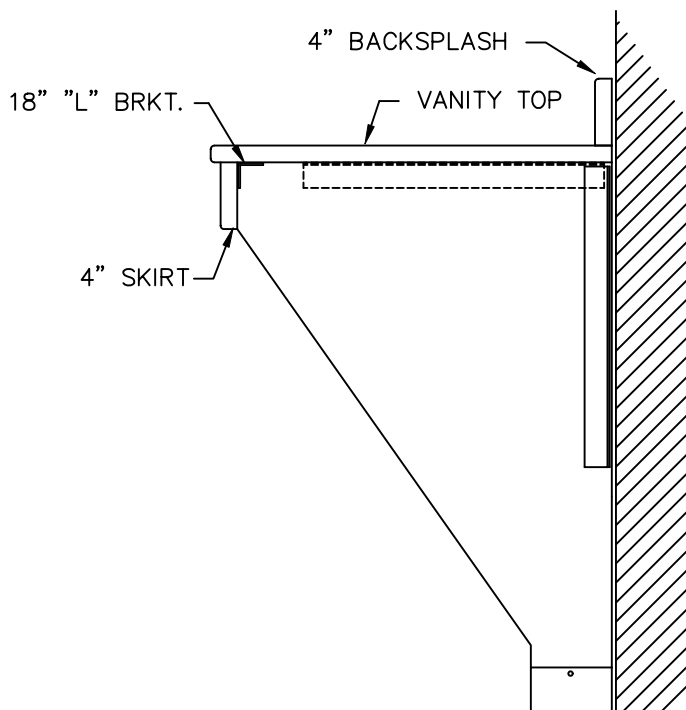
VANITY (BETWEEN WALL)



TOP VIEW

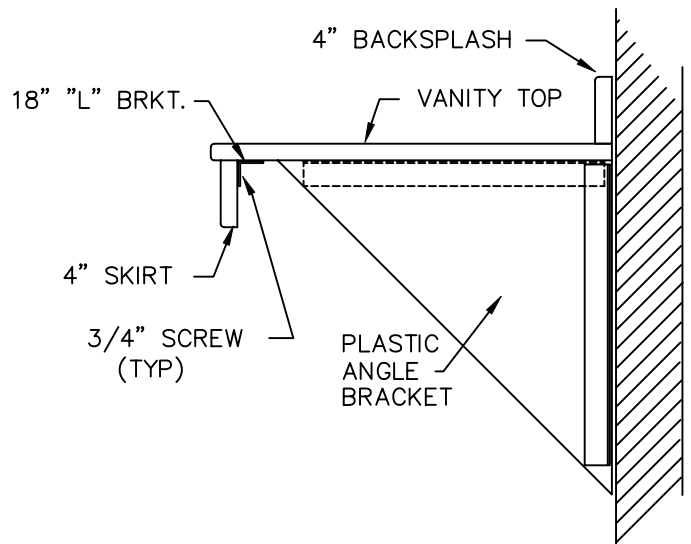


FRONT VIEW



SIDE VIEW (STYLE: VL)

OPTIONAL VANITY LEG



SIDE VIEW (STYLE: STD.)

STANDARD SUPPORT

NOTES !

VANITY TOP, BACKSPLASH, SKIRT, & PLASTIC ANGLE BRACKETS TO BE SUPPLIED BY SANTANA.

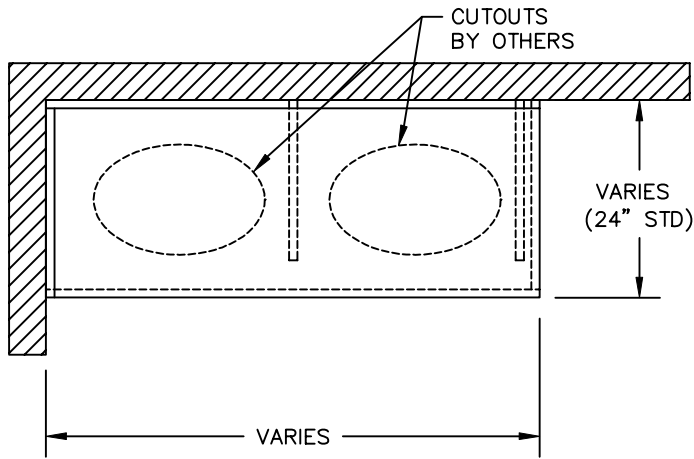
A 115" LONG VANITY TOP IS THE LARGEST TOP SANTANA CAN MANUFACTURE IN A ONE PIECE SECTION.

Direct Partitions & Lockers

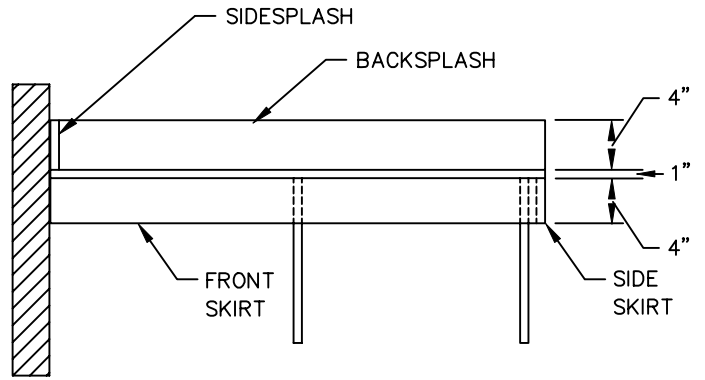
P.O. Box 20, Dunmore, Pennsylvania 18512

Phone: 1-800-969-0623 Fax: (570) 347-6225

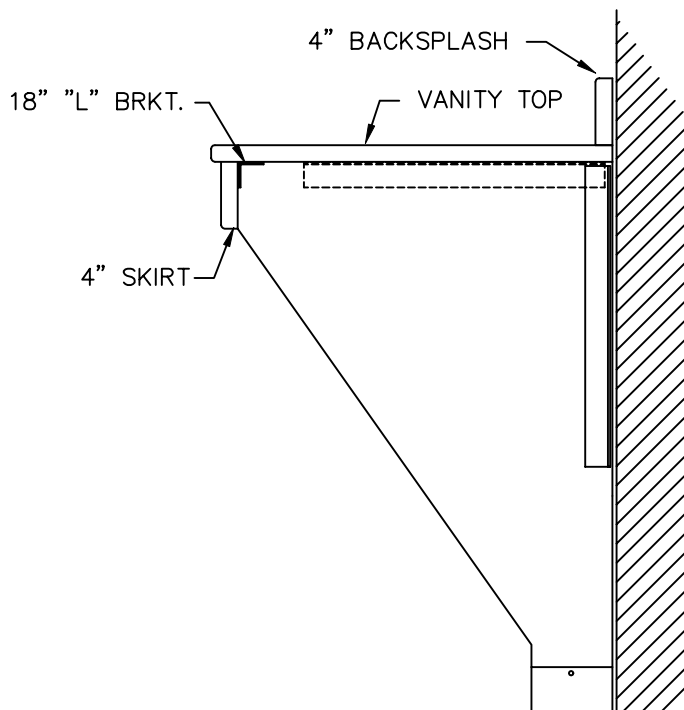
VANITY (IN CORNER)



TOP VIEW

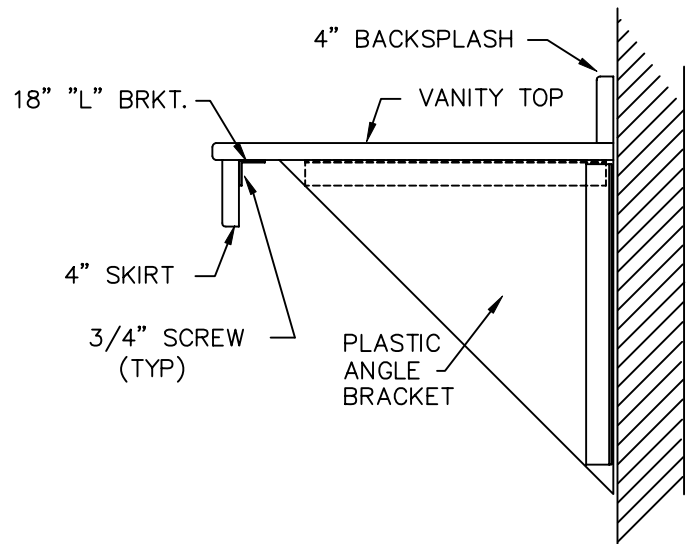


FRONT VIEW



SIDE VIEW (STYLE: VL)

OPTIONAL VANITY LEG



SIDE VIEW (STYLE: STD.)

STANDARD SUPPORT

NOTES !

VANITY TOP, BACKSPLASH, SKIRT, & PLASTIC ANGLE BRACKETS TO BE SUPPLIED BY SANTANA.

A 115" LONG VANITY TOP IS THE LARGEST TOP SANTANA CAN MANUFACTURE IN A ONE PIECE SECTION.

Direct Partitions & Lockers

P.O. Box 20, Dunmore, Pennsylvania 18512

Phone: 1-800-969-0623 Fax: (570) 347-6225